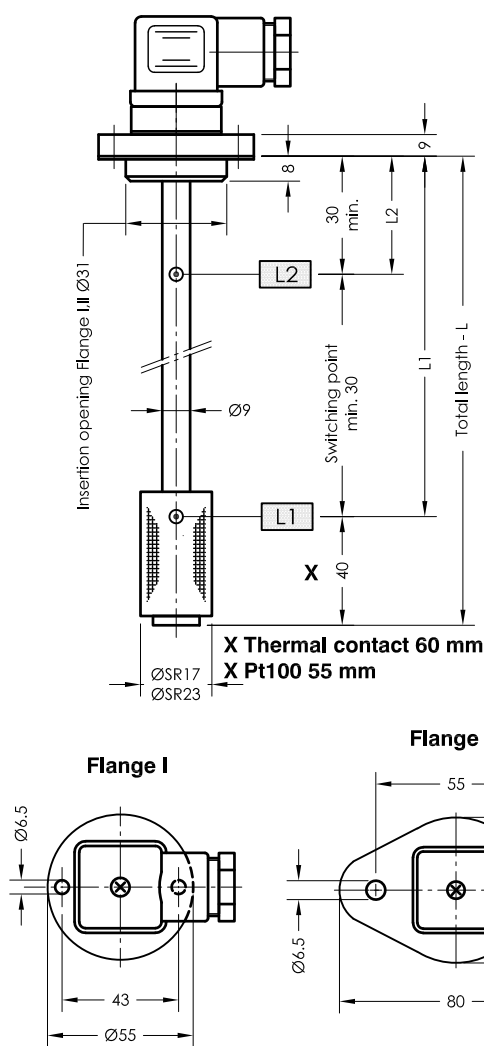


NR 25 ...

Level regulator for tank insert

serial No. Date
IN-GB- 100 b 11/17



Specimen order

NR 25 - I - L250-01-L1/190/S-T70Ö-M12-24V

Order code

Flange I
Flange II

Total length -L of
switching tube (mm)
standard length
L=250
L=370
L=500

Level contact type
01 = fixed-plain
02M SR17 = fixed-changerover

Switching point L1-L3/
mm from sealing edge

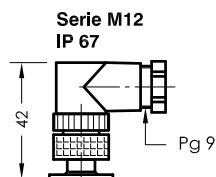
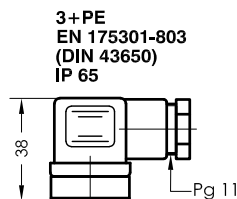
Ö = break
S = make
W = Changeover
Function with increasing level

Operating voltage
VDC 10-36 = 24V
VAC 10-230 = 230V

Plug socket connector
3+PE
M12 - Flange

Pt100
Thermal contact
T10Ö
T40Ö
T50Ö
T60Ö (S) (Ö preferred)
T70Ö (S)
T80Ö (S)
T90Ö

Connector variants



Technical data

Description

The level regulator type NR 25 ... for tank insert is a solenoid switch operating without contact with the function of monitoring and regulating liquid levels and temperatures.

The switching tube contains bistable protective gas contacts, fixed in position. For fixed contacts, the contact intervals and their function must be given.

The permanent magnet built into the float switches the contacts when the level changes. The switching difference (hysteresis) is 4 mm. For temperature monitoring and regulation, thermal elements such as thermal contacts can be additionally incorporated.

The level regulator is maintenance - free when nondeposit media are used.

For inductive loads, a protective circuit must be provided (free-wheeling diode/RC element).

The device must only be installed by specialists.

Max. viscosity 150mm²/S

Technical data

Switching tube
Connection flange

Brass, max.L = 800mm
Aluminium / Polyamide,
with flat seal

Nominal pressure
Temperature of medium
Float

1 bar max.
80°C max.

Level contacts
Operating voltage

Plastic - type SR17 / SR23
Make/break contacts/changerover
230V AC max.

Switching potential
Thermal elements

Datasheet IN - GB - 003

Number of functions

max. 3 can be incorporated

Mounting position
*Thermal contact

vertical ± 30°
Sheet TR-GB-507



GOLDAMMER
REGELUNGSTECHNIK GMBH

SCHÖLLERSHEIDER STR. 15
P.O.BOX 10 02 17
D-40802 METTMANN

PHONE (49) 2104/12093
FAX (49) 2104/12028

www.Goldammer-Regelungstechnik.com