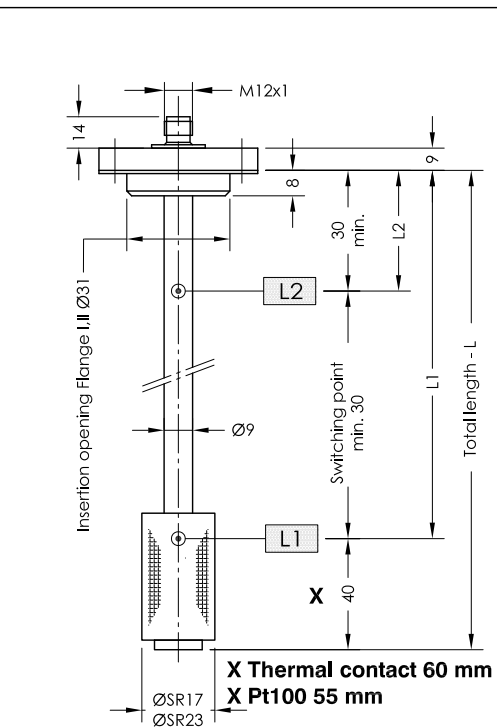


# NR 25 ...

## Level regulator for tank insert

serial No. Date  
IN-GB- 100 b 03/21



### Specimen order

**NR 25 - I - L250-01-L1/190/S-T70Ö-M12-24V**

Order code

Flange I  
Flange II

Total length -L of  
switching tube (mm)  
standard length  
L=250  
L=370  
L=500

Level contact type  
01 = fixed-plain  
02M SR17 = fixed-changerover

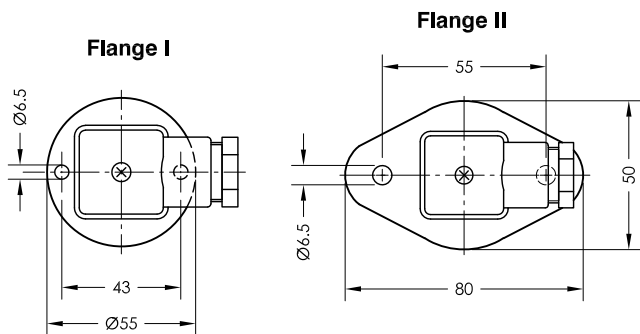
Switching point L1-L3/  
mm from sealing edge

Ö = break  
S = make  
W = Changerover  
Function with increasing level

Operating voltage  
VDC 10-36 = 24V  
VAC 10-230 = 250V

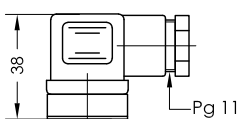
Plug socket connector  
3+PE  
M12 - 24V  
M12 - 250V

Pt100  
Thermal contact  
T10Ö  
T40Ö  
T50Ö  
T60Ö (S) (Ö preferred)  
T70Ö (S)  
T80Ö (S)  
T90Ö

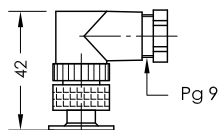


Connector variants

3+PE  
EN 175301-803  
(DIN 43650)  
IP 65



Serie M12  
IP 67



Technical data

### Description

The level regulator type NR 25 ... for tank insert is a solenoid switch operating without contact with the function of monitoring and regulating liquid levels and temperatures.

The switching tube contains bistable protective gas contacts, fixed in position. For fixed contacts, the contact intervals and their function must be given.

The permanent magnet built into the float switches the contacts when the level changes. The switching difference (hysteresis) is 4 mm. For temperature monitoring and regulation, thermal elements such as thermal contacts can be additionally incorporated.

The level regulator is maintenance - free when nondeposit media are used.

For inductive loads, a protective circuit must be provided (free-wheeling diode/RC element).

The device must only be installed by specialists.

Max. viscosity 150mm<sup>2</sup>/S

### Technical data

Switching tube  
Connection flange

Brass, max.L = 800mm  
Aluminium / Polyamide,  
with flat seal

Nominal pressure  
Temperature of medium  
Float  
Medium density  
Level contacts  
Operating voltage  
Switching potential  
Thermal elements  
Number of functions  
Mounting position  
\*Thermal contact

1 bar max.  
80°C max.  
Plastic - type SR17 / SR23  
0,80 Kg/dm<sup>3</sup> min.  
Make/break contacts/changerover  
250V max.  
Datasheet IN - GB - 003  
Pt100, thermal contact  
max. 3 can be incorporated  
vertical ± 30°  
Sheet TR-GB-507



**GOLDAMMER**  
REGELUNGSTECHNIK GMBH

SCHÖLLERSHEIDER STR. 15  
P.O.BOX 10 02 17  
D-40802 METTMANN

PHONE (49) 2104/12093  
FAX (49) 2104/12028

www.Goldammer-Regelungstechnik.com  
info@goldammer-regelungstechnik.com