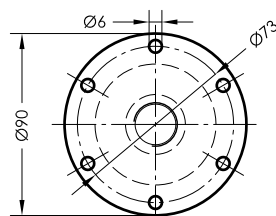
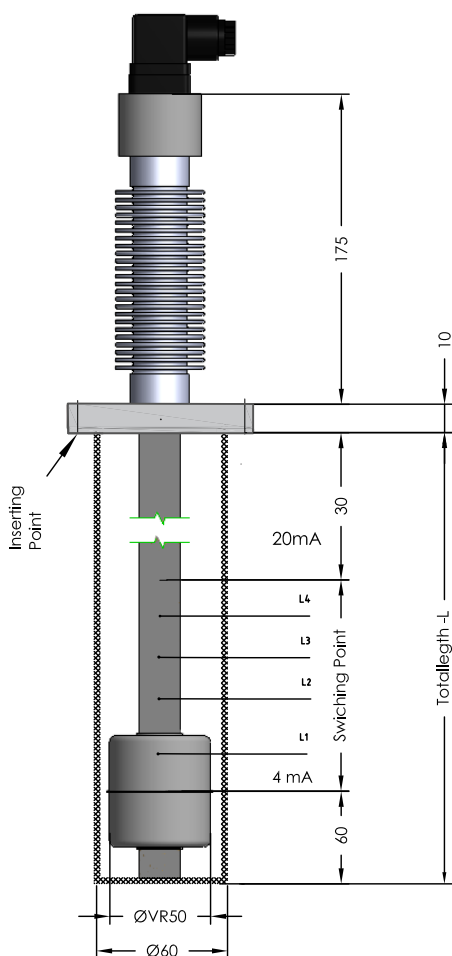


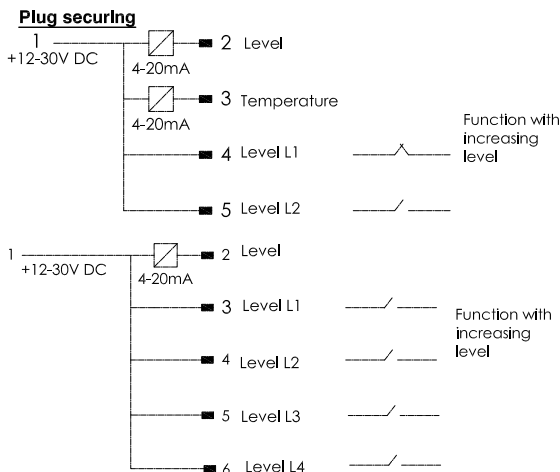
NR 85 - MA - L1 - L4 - Axial - Compensator

Level - temperature regulator with resistance measuring chain and resistance thermometer, output 4-20mA

serial No. Date
MA-GB- 308/3 11/17



Level contact



Order code

Specimen order

NR 85-MA-VR50-L370-01-T-VA-L1/330/S-L2/60/Ö-M12-AK

MA = with protective tube
MAS = without protective tube

Float type
VR50

Total length-L
switching tube (mm)
Standard length
L=250 L=800 L=1300
L=370 L=1000 L= 1400
L=500 L=1200 L= 1500

Level contact type
01 = fixed, plain

T = temperature
O = without temperature

01 = Fixed-conduct

Switching point and Contact function "S" Ö data is by rising level

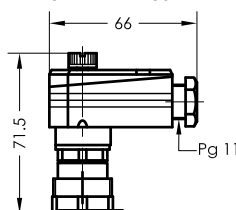
Plug socket connector
DIN 43651
M12

Switching point L1-L2/
mm from sealing edge
Ö = break
S = make
Function with
increasing level

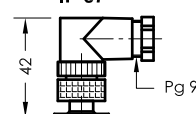
Execution
VA = Flange,
Protective tube,
Switching tube
and float
stainless steel

Plug socket connector

DIN 43651
(EN 175201-804)
6+PE - IP 65



Serie M12
IP 67



Description

The level temperature regulator, type NR 85 - AK designed for container installation, is a contactless electromagnetic switch serving for continuous teletransmission of liquid levels and temperature.

Via cables of any length, level and temperature can be continuously evaluated for automatic control and display.

The level controller contains a resistance measuring chain and a Pt100 resistor.

The level and temperature dependent signal is converted in the integrated measuring transducer into a linear current change of 4-20 mA.

The level controller is maintenance-free when nondeposit media are used.

Optionally bistable level contacts can be inserted additionally.

For all-round vibrations, movements, adjustments with Axial - Compensator.

The device must only be installed by specialists.

Max. viscosity 320mm²/S

Technical data

Protective tube	Stainless steel
Switching tube	Stainless steel
Connection flange	max. L 2000mm
Nominal pressure	Stainless steel with flat seal
Level contacts	10 bar max. - flange + float VR50 stainless steel
Switching potential	bistable make / break
Temperature of medium	optional fixed or adjustable
Operating voltage	Datasheet IN - GB - 003
Measuring range	100°C max.
Thermal element	12V ... 30V DC
Contact pitch	4-20 mA = 0-100 °C /0-100%
Load	Pt100
Mounting position	7,5 mm
Axial - Compensator	RB = U-12V
Other temperature ranges on request	20mA

Technical data



GOLDAMMER
REGELUNGSTECHNIK GMBH

SCHÖLLERSHEIDER STR. 15 PHONE (49) 2104/12093
P.O.BOX 10 02 17 FAX (49) 2104/12028
D-40802 METTMANN www.Goldammer-Regelungstechnik.com