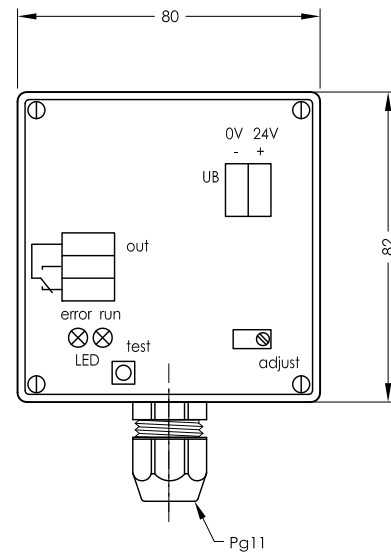
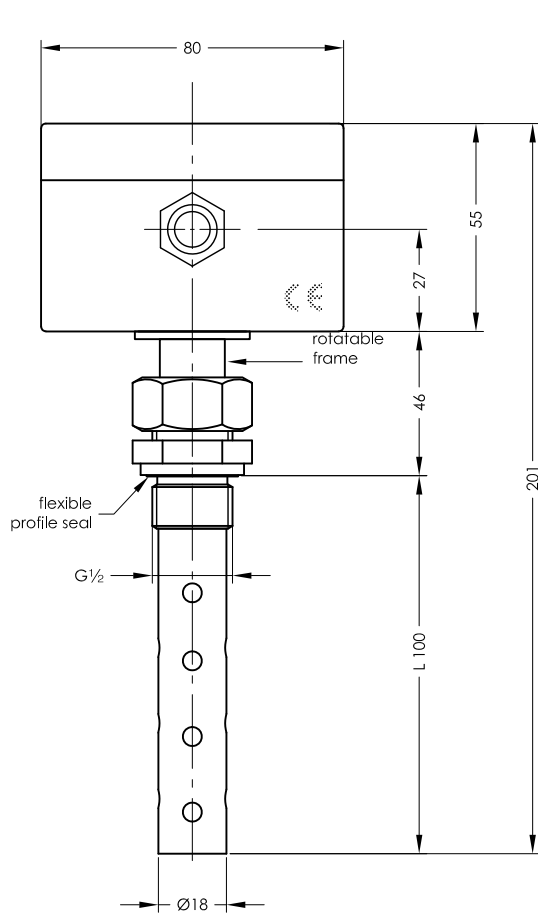


WM 1 - 24V DC

Water indicator

serial No. Date
WM-GB- 700 08/11



Presentation of contact function
with trouble free operation

The oil grade has to be referred when ordering

Specimen order

WM 1 - L100 - MS - 24V DC

Standard length 100 mm
Special lengths on request
maximum length = 2000 mm

MS
VA

Description

The electronic water indicator is used for the control and regulation of all kinds of liquids and is primarily employed in hydraulic and lubrication oil appliances. This type signal minimal water quantities in oil. Also oil emulsions and other liquid conductive media can be detected on request. Calibration of device is undertaken at the works; the oil grade has to be referred when ordering.

The device operates on the capacitance principle and emits a signal on detecting a dielectric change. The sensor can be removed from the screw-in type housing by loosening a union nut or rotated through 180°.

Depending on the design of the sensor, parts of less than 2% water in oil can be signalled.

Electrical connection to the supply system must be made with a shielded cable for interference-free data signal transmission for all electronic areas.

The device must only be installed by specialists.

Technical data

| | |
|-----------------------|--|
| Operating temperature | 0 to 100°C |
| Supply voltage | 20-28V DC |
| Contact output | 1 changeover contact 24V, rupturing capacity 5A max. |
| Electr. connection | Cable thread Pg13,5 + series terminals 1,5 mm ² |
| Sensor housing | Plastic EMV shielded |
| Protection class | IP 65 |
| Protective tube | Stainless steel / brass |
| Switching tube | Brass / Stainless steel |
| Operating pressure | 6 bar max. |
| Power consumption | 1,2 W |



GOLDAMMER
REGELUNGSTECHNIK GMBH

SCHÖLLERSHEIDER STR. 15 PHONE (49) 2104/12093
P.O. BOX 10 02 17 FAX (49) 2104/12028
D-40802 METTMANN www.Goldammer-Regelungstechnik.com
info@goldammer-regelungstechnik.com