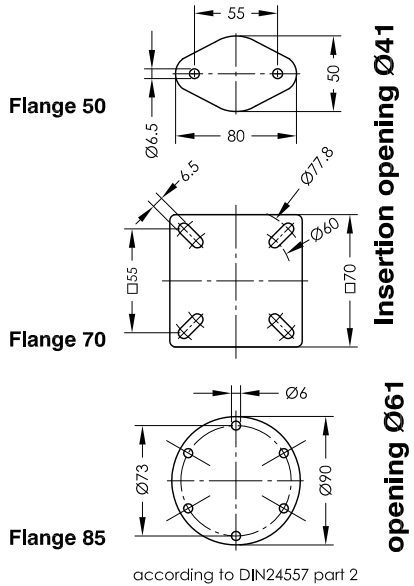
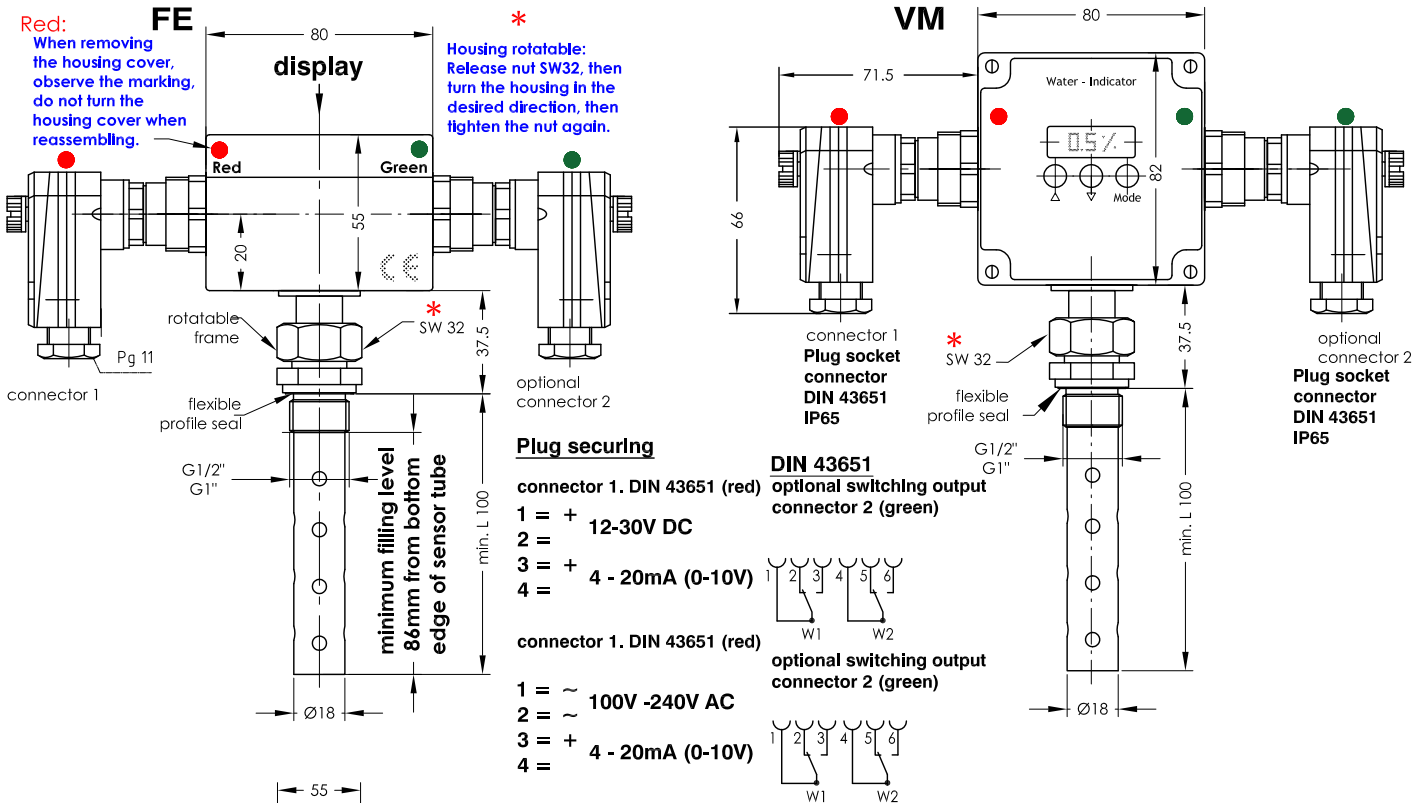


# WM 12

## Water indicator with display 4-20mA

serial No. Date  
WM-GB- 703a 07/18



The oil grade has to be referred when ordering

### Specimen order

**WM 12 - G1/2 - L100 - 24V DC - 4-20mA - I - FE - MS**

Connection	G1/2" G1"	Measuring range	4 - 20mA 0 - 10V
Flange 50	70 85	Contact output	I = 2 contact II = 0 contacts
Total length (Standard length 100 mm) max. 2000mm		Construction	FE= permanent installation VM= vertical installation
Operating voltage	24V DC 100V - 240V AC	Material	VA = Stainless steel MS = brass

### Description

The electronic water Indicator with display is qualified for measurement of the absolute moisture content in hydraulic and lubrication oil appliances. The continuous monitoring of the moisture content in oil plants happens about the integrated sensor. Damage is avoided by fast detection of a water entrance. Calibration of device is undertaken at the works; the oil grade has to be referred when ordering. The evaluation for capacitive measurement takes place by a micro control system and is indicated over a 4 digit LED 7 segment display in %. The indication of the moisture content takes place linear, smallest indicated water percentage 0.5%, corresponds to 4-20mA or 0-10V. In addition optionally 2 relay exits are available. Electrical connection to the supply system must be made with a shielded cable for interference. The device must be installed by specialists. The calibration of the water Indicator with display can be made by the start-up locally by the specialists.

### Technical data

Operating temperature	0 to 80°C
Operating voltage	12-30V DC, 100V -240V AC
Measurement output	4-20mA 0-10V
Optional	2 digital relays switching outputs 24V / 4A, 125V / 0,4A (230V / 0,25A)
Display	7 segment-LED-display in % 3 short-travel keys for menu guidance
Sensor housing	Plastic EMV shielded IP65
Sensor	Stainless steel / brass
Operating pressure	10bar max.



**GOLDAMMER**  
REGELUNGSTECHNIK GMBH

SCHÖLLERSHEIDER STR. 15 PHONE (49) 2104/12093  
P.O.BOX 10 02 17 FAX (49) 2104/12028  
D-40802 METTMANN www.Goldammer-Regelungstechnik.com  
info@goldammer-regelungstechnik.com