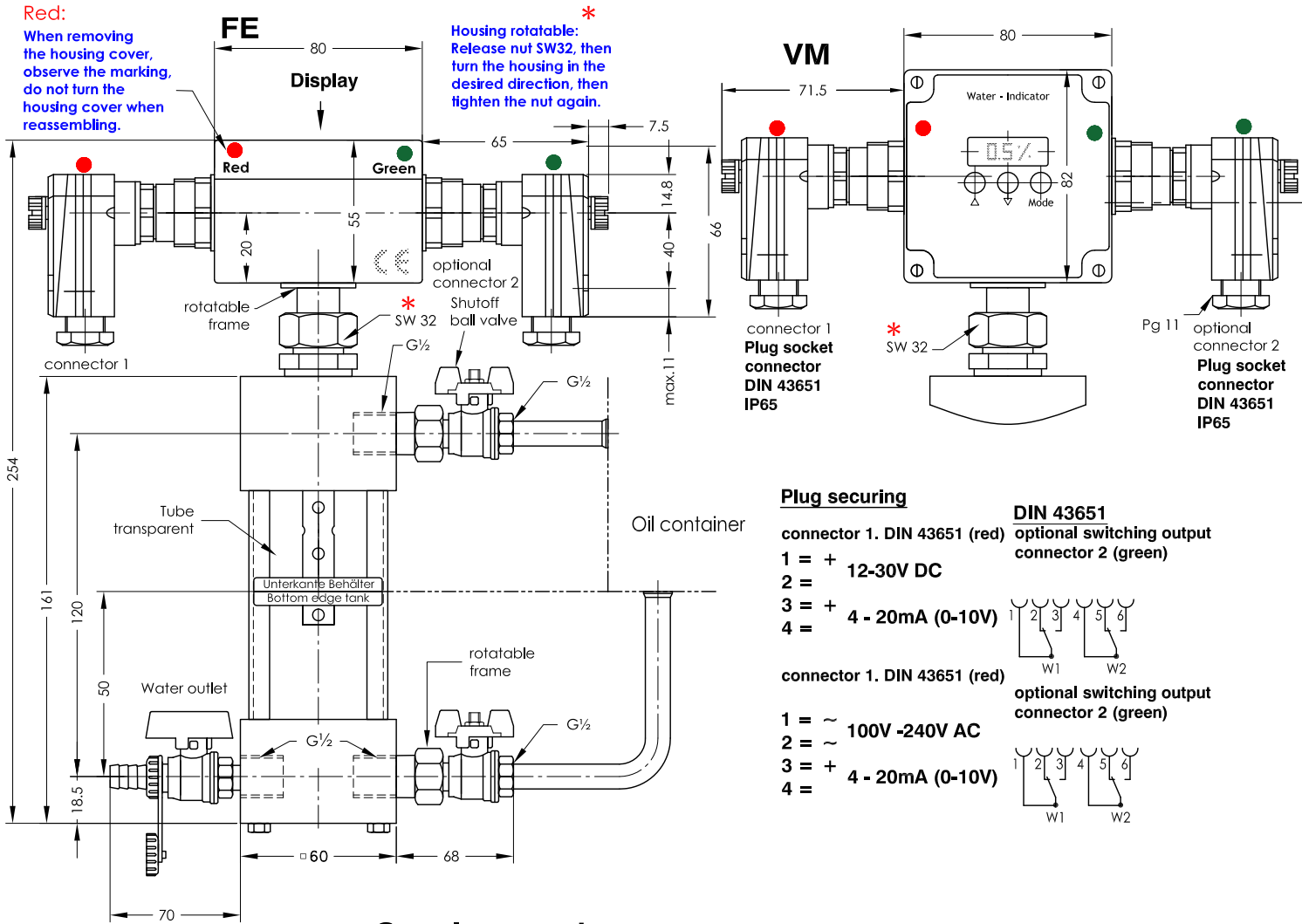


# WM 12 - G

## Water indicator for surface mounting

serial No. Date  
WM-GB- 703b 07/18



### Plug securing

connector 1. DIN 43651 (red)

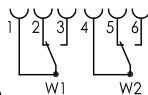
- 1 = + 12-30V DC
- 2 =
- 3 = + 4 - 20mA (0-10V)
- 4 =

connector 1. DIN 43651 (red)

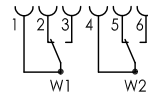
- 1 = ~ 100V -240V AC
- 2 = ~
- 3 = + 4 - 20mA (0-10V)
- 4 =

### DIN 43651

optional switching output  
connector 2 (green)



optional switching output  
connector 2 (green)



### Specimen order

**WM 12 - G - 24V DC - 4-20mA - I - FE - MS**

Operating voltage  
24V DC  
100V - 240V AC

Measuring range  
4 - 20mA  
0 - 10V

Material  
VA = Stainless steel  
MS = brass

Construction  
FE = permanent installation  
VM = vertical installation

Contact output  
I = 2 contact  
II = 0 contacts

## The oil grade has to be referred when ordering

### Description

The electronic water indicator is used for the control and regulation of all kinds of liquids and is primarily employed in hydraulic and lubrication oil appliances. This type signal minimal water quantities in oil. Also oil emulsions and other liquid conductive media can be detected on requested. Calibration of device is undertaken at the works; the oil grade has to be referred when ordering.

The device operates on the capacitance principle and emits a signal on detecting a dielectric change. The sensor can be removed from the screw-in type housing by loosening a union nut or rotated through 180°.

Depending on the design of the sensor, parts of less than 2% water in oil can be signalled.

Electrical connection to the supply system must be made with a shielded cable for interference - free data signal transmission for all electronic areas.

### Technical data

Operating temperature	0 to 80°C
Operating voltage	12-30V DC, 100V -240V AC
Measurement output	4-20mA
Optional	0-10V 2 digital relays switching outputs 24V / 4A, 125V / 0,4A(230V / 0,25A)
Display	7 segment-LED-display in % 3 short-travel keys for menu guidance
Sensor housing	Plastic EMV shielded IP 65
Sensor	Stainless steel / brass
Operating pressure	10 bar max.
Adapter	Al
Shutoff valve	Brass



**GOLDAMMER**  
REGELUNGSTECHNIK GMBH

SCHÖLLERSHEIDER STR. 15  
P.O.BOX 10 02 17  
D-40802 METTMANN

PHONE (49) 2104/12093  
FAX (49) 2104/12028

www.Goldammer-Regelungstechnik.com  
info@goldammer-regelungstechnik.com